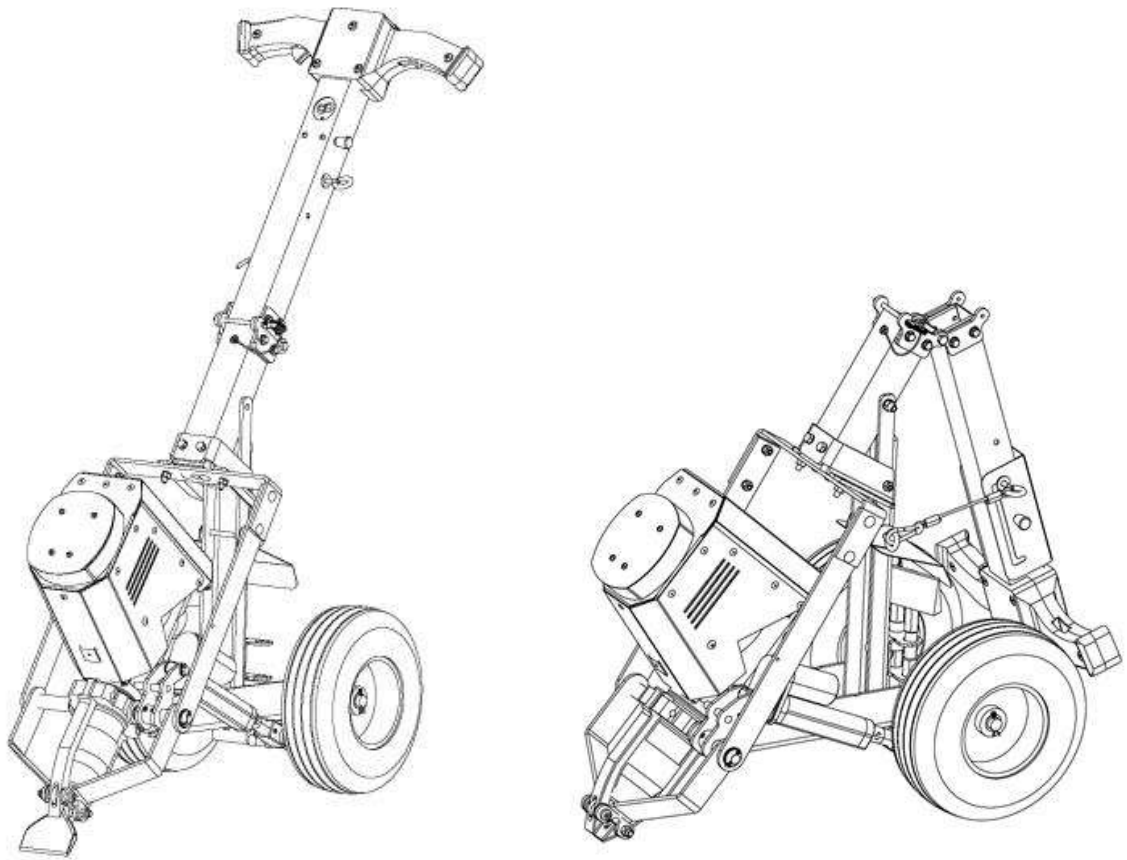


Eddy

Tile breaker model TBE2
Briseur de tuile modèle TBE2
Azulejo removerdor modelo TBE2



WARNING

For your safety, **READ** and **UNDERSTAND** before using. Save these instructions for future reference.

AVERTISSEMENT

Pour votre sécurité, **LIRE** et **COMPRENDRE** avant d'utiliser. Sauvegarder ces instructions pour référence future.

ADVERTENCIA

Para su seguridad, **LEER** y **ENTENDER** antes de usarlo. Guarde estas instrucciones para referencia en el futuro.

INSTRUCTION & MAINTENANCE MANUAL
MANUEL D'INSTRUCTIONS & D'ENTRETIEN
INSTRUCCIÓN Y MANTENIMIENTO MANUAL

Table of contents

English version.....	5
Introduction	6
General safety rules.....	7
Additional safety rules.....	8
Unpacking.....	10
Operating instructions	12
Maintenance	15
Warranty	18
Service.....	18
Version Francais	19
Introduction	20
Règles de sécurité generales.....	21
Règles additionnelles de sécurité	23
Déballage.....	24
Mode d'emploi.....	26
Entretien.....	29
Garantie	32
Service.....	32
Version en español	33
Introducción	34
Reglas generales de seguridad	35
Reglas adicionales de seguridad	36
Desembalaje	38
Instrucciones de uso	40
Mantenimiento	43
Garantia	46
Servicio	46
Appendices	47
SPECIFICATIONS / SPÉCIFICATIONS / ESPECIFICACIONES	47
EXPLODED VIEWS / VUES EN ÉCLATÉ / VISTAS DESARROLLADAS	48
PARTS LIST / LISTE DES PIÈCES / LISTA DE PIEZAS.....	50
Contact information.....	53
Purchase record / Record d'achat / Registro de la compra.....	54

English version

Introduction

RESUME

Due to prolonged and demanding physical effort that requires manual removal of ceramic tiles, cements and glues, we have developed a tool allowing the operator to have a better posture and this for all phases and materials to be removed.

ERGONOMICS

An ergonomic tool for removing ceramic floor covering whose design focuses on reducing physical effort and prevention of professional injuries to the operator.

Thanks to its geometry allowing a wide variation of angles of attack on the various coatings to remove and its minimum height of the handles, the tile breaker tool provides a comfortable position to the operator.

GENERAL DESCRIPTION

The system consists of a percussion tool, system of positioning and adjustment of angles, handle with a switch and control knobs, folding column and fork, wheels and chisels 1", 2" and 3".

ANGLE ADJUSTMENT

The electric actuator allows the positioning of the tool to the different necessary angles for the work to be done. On the opposite side of the actuator, we have added a graduated sticker and needle showing the degrees of the tool to the operator. For example, an angle of + or – 30 degrees is used for the removal of ceramic tiles rather than an angle of 70 degrees used to remove the grout. This rule then becomes a reference point for the operator. The electric actuator is connected to a control Up & Down integrated in the handle which allows the safe positioning of the tool without manual effort.

General safety rules

WARNING!



Read all instructions.

Failure to follow all instructions listed below may result in electric shock, fire and/or serious injury. The term "power tool" in all the warnings listed below refers to your mains-operated (corded) power tool.

SAVE THESE INSTRUCTIONS

This equipment should be operated in compliance with all OSHA regulations.

Work area

- Keep work area clean and well lit. Cluttered and dark areas invite accidents.
- Do not operate power tools in explosive atmospheres, such as in the presence of flammable liquids, gases or dust.
- Power tools create sparks which may ignite the dust or fumes.
- Keep children and bystanders away while operating a power tool. Distraction can cause you to lose control.

Electrical safety

- Power tool plugs must match the outlet. Never modify the plug in any way. Do not use any adapter plugs with earthed (grounded) power tools. Unmodified plugs and matching outlets will reduce risk of electric shock.
- Avoid body contact with earthed or grounded surfaces such as pipes, radiators, ranges and refrigerators. There is an increased risk of electric shock if your body is earthed or grounded.
- Do not expose power tools to rain or wet conditions. Water entering a power tool will increase the risk of electric shock.
- Do not abuse the cord. Never use the cord for carrying, pulling or unplugging the power tool. Keep cord away from heat, oil, sharp edges or moving parts. Damaged or entangled cords increase the risk of electric shock.
- When operating a power tool outdoors, use an extension cord suitable for outdoor use. Use of a cord suitable for outdoor use reduces risk of electric shock.

Personal safety

- Stay alert, watch what you are doing and use common sense when operating a power tool. Do not use a power tool while you are tired or under the influence of drugs, alcohol or medication. A moment of inattention while operating power tools may result in serious personal injury.
- Use safety equipment. Always wear eye protection. Safety equipment such as dust mask, non-skid safety shoe, hard hat, or hearing protection used for appropriate conditions will reduce personal injuries.
- Avoid accidental starting. Ensure the switch is in the off-position before plugging in. Carrying power tools with your finger on the switch or plugging in power tools that have the switch on invites accidents.
- Remove any adjusting key such as wrench before turning the power tool on. A wrench or a key left attached to a rotating part of the power tool may result in personal injury.

- Do not overreach. Keep proper footing and balance at all times. This enables better control of the power tool in unexpected situations.
- Dress properly. Do not wear loose clothing or jewellery. Keep your hair, clothing and gloves away from moving parts. Loose clothes, jewellery or long hair can be caught in moving parts.
- If devices are provided for the connection of dust extraction and collection facilities, ensure these are connected and properly used. Use of these devices can reduce dust-related hazards.

Power tool use and care

- Do not force the power tool. Use the correct power tool for your application. The correct power tool will do the job better and safer at the rate for which it was designed.
- Do not use the power tool if the switch does not turn it on and off. Any power tool that cannot be controlled with the switch is dangerous and must be repaired.
- Disconnect the plug from the power source and/or the battery pack from the power tool before making any adjustments, changing accessories, or storing power tools. Such preventive safety measures reduce the risk of starting the power tool accidentally.
- Store idle power tools out of the reach of children and do not allow persons unfamiliar with the power tool or these instructions to operate the power tool. Power tools are dangerous in the hands of untrained users
- Maintain power tools. Check for misalignment or binding of moving parts, breakage of parts and any other condition that may affect the power tools operation. If damaged, have the power tool repaired before use. Many accidents are caused by poorly maintained power tools.
- Keep cutting tools sharp and clean. Properly maintained cutting tools with sharp cutting edges are less likely to bind and are easier to control.
- Use the power tool, accessories and tool bits etc. in accordance with these instructions and in the manner intended for the particular type of power tool, taking into account the working conditions and the work to be performed. Use of the power tool for operations different from those intended could result in a hazardous situation.

Service

Have your power tool serviced by a qualified repair person using only identical replacement parts. This will ensure that the safety of the power tools is maintained.

Additional safety rules

This equipment should be operated in compliance with all OSHA regulations.

- Rags, cloth, cord, strings and the like should never be left around the work area. Entangled material increase the risk of accidents.
- Handle the blades very carefully. Sharp edges may cause injuries. Use the provided guard and gloves to handle.
- Ensure that the blade retaining bolts are securely tightened before operating the tool. Loose bolts will generate unusual vibration and may result in injuries.
- Hold the tool firmly with both hands. Control of the tool requires a firm hold and holding with both hands will prevent potential accidents.
- Keep hands away from rotating parts. Moving parts may cause injuries and electric shock.
- Before using the tool, let it run idle for a while. Watch for unusual vibrations or wobbling that could indicate poor installation or a poorly installed balanced blade. Unusual vibrations or wobbling indicate poor installation or poorly balance blades. This may cause accidents or result in injuries.
- Do not leave a power tool running unattended. Operate the tool when hand held only.

- Never change the bolt length on the rubber shocks and do not use shims or bushings on top or bottom. Tampering with these parts may result in accidents and injuries. Periodically verify parts #26 and #50 for proper operation.

Before using the tool

Check for damaged parts before using the tool. A damaged guard or part should be carefully checked to determine if it will operate properly and perform its intended function. Check the alignment of moving parts, binding of moving parts, breakage of parts, mounting and any other conditions that may affect the tool operation. A guard or other part that is damaged should be properly repaired or replaced by an authorized service center before using the tool.

Voltage verification

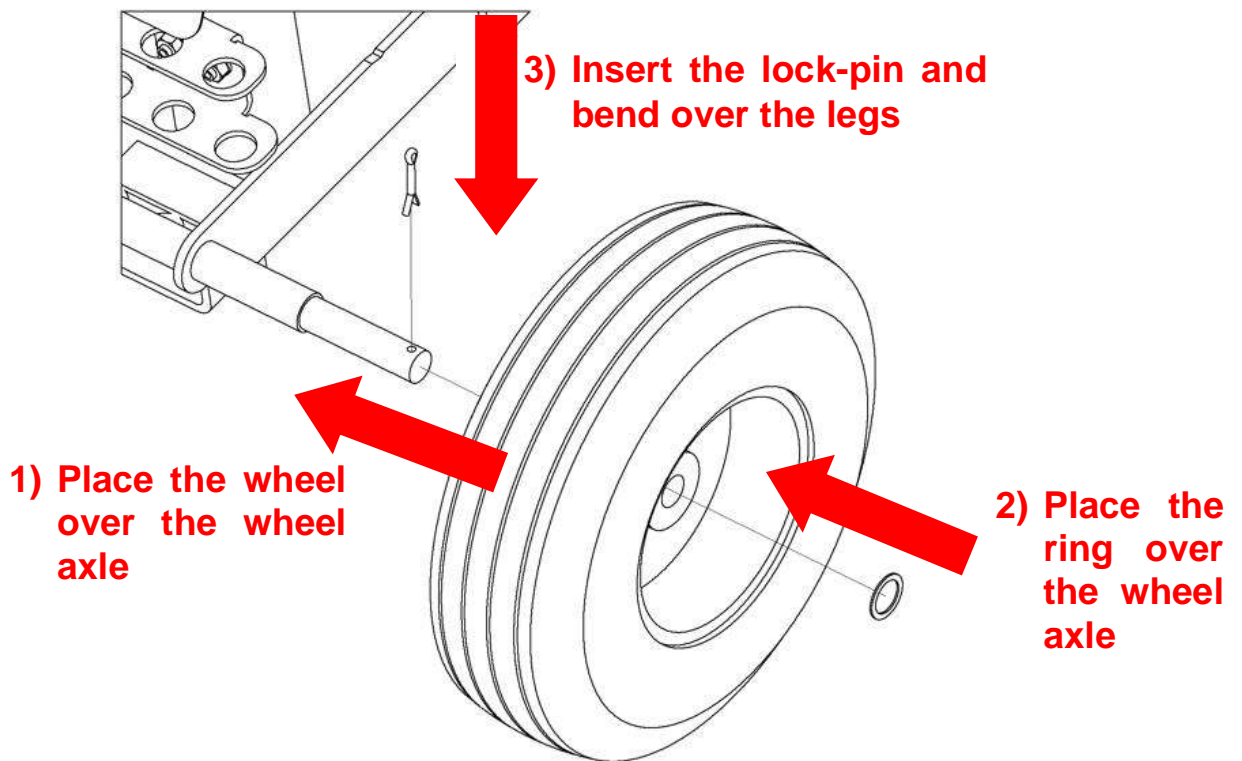
Before connecting the tool to a power source, make sure that the voltage supplied is the same as the one specified on the nameplate of the tool. A power source with a greater voltage may result in serious injury to the user as well as damage to the tool. If in doubt, do not plug-in the tool. Using voltage lower than specified is harmful to the motor.

Unpacking

- Open the box and retrieve the Tile Breaker from it.
- The Tile breaker is in a folded position as shown in the figure below.
- Attach the wheels as shown in the third figure.
- To prevent injuries, a safety cable is locking the handle in the folded position.
- To unfold the handle, open the Cable snap and unfold the handle by lifting it upwards until the hinge anchors are align. Insert the hinge pin until the spring ball locks in place as shown in the figure.



WARNING When lifting the handle, make sure that nobodies hand or other body part is touching the handle latching joint.



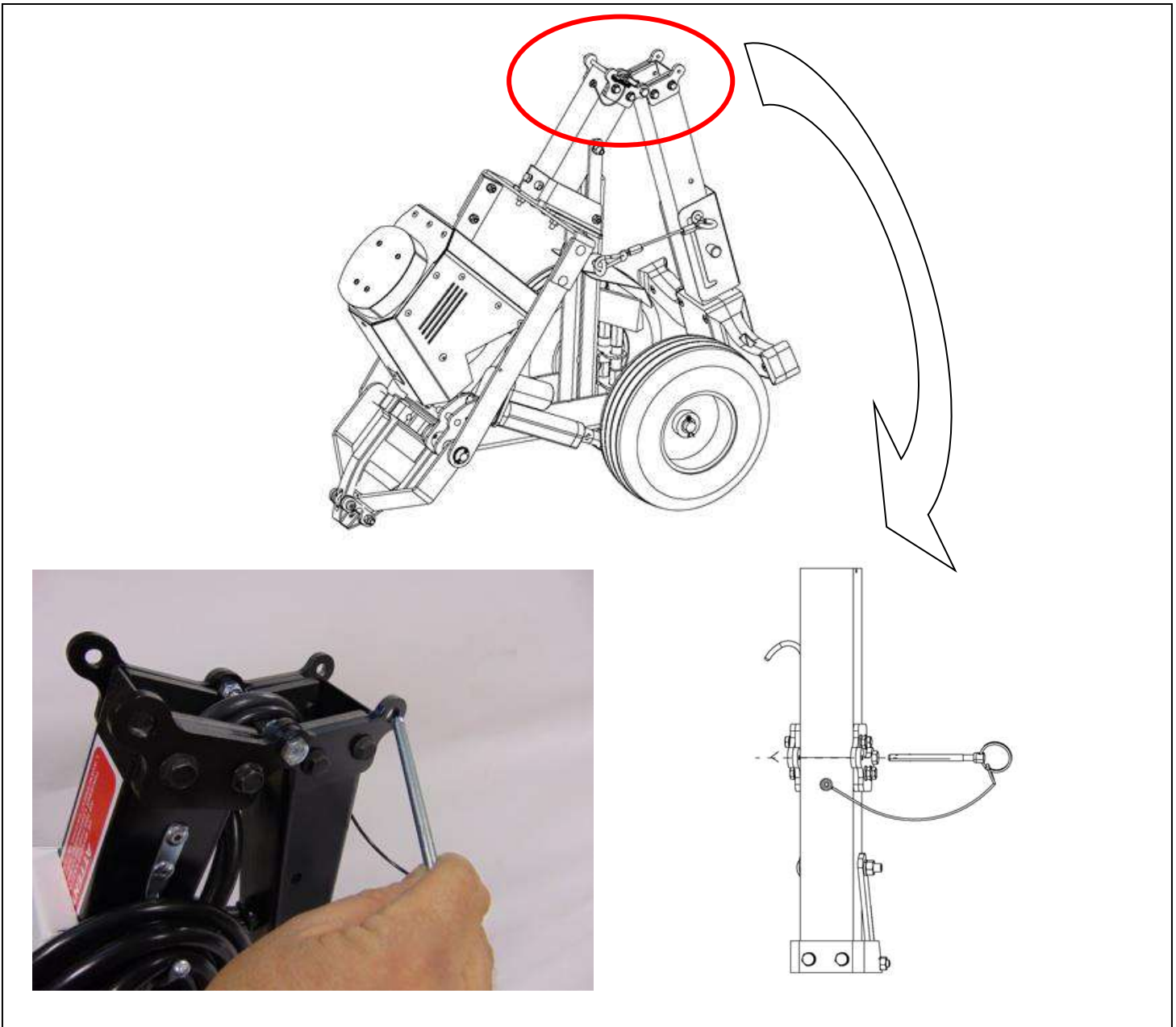


Figure to indicate how to install the handle properly. The hinge pin needs to be inserted in the hinge anchors. **WARNING: Do not pitch fingers when assembling the handle and inserting the pin**

Operating instructions

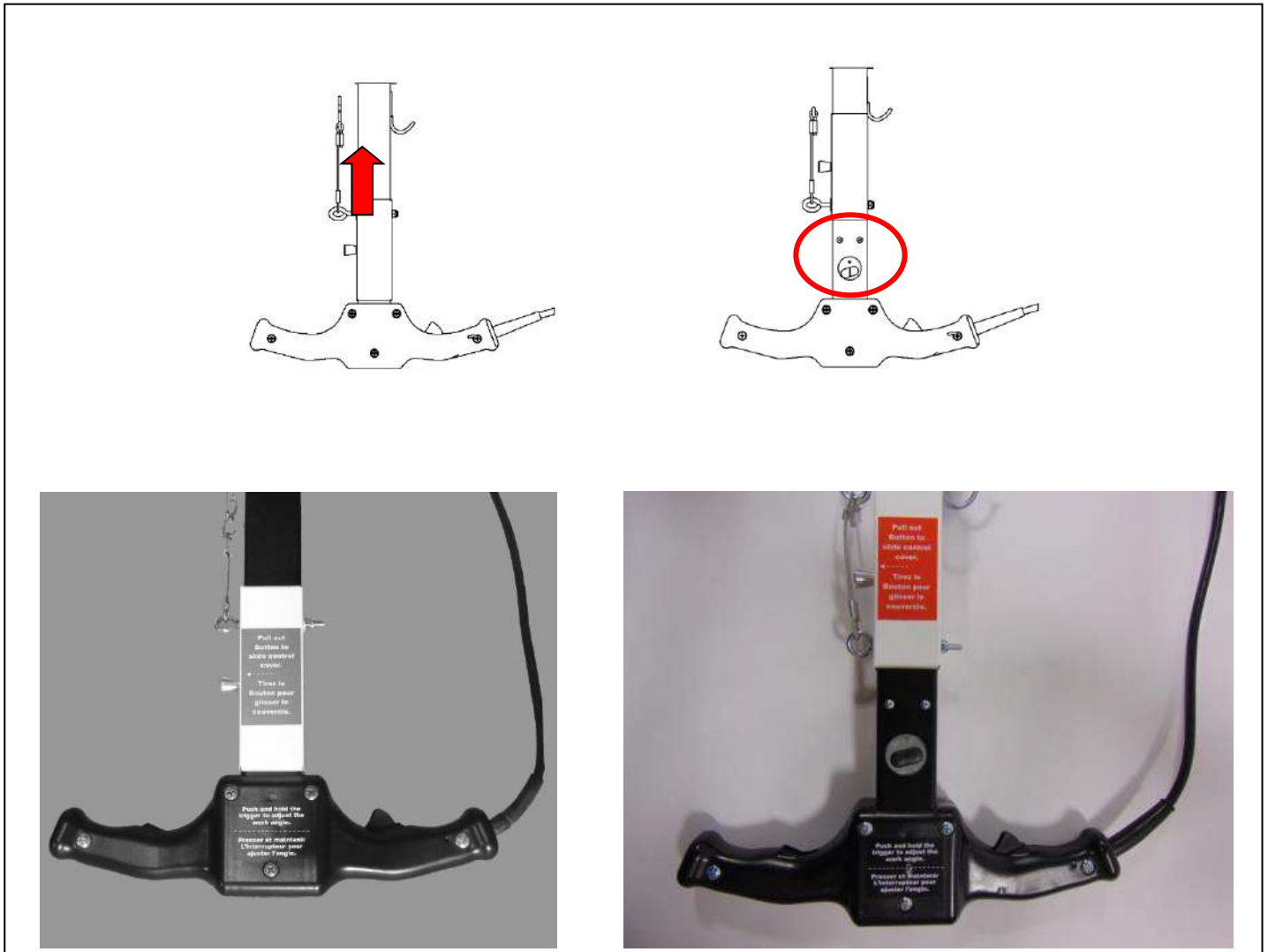
Controls & adjustments

To start removing ceramic tiles, depress the Trigger switch and push the chisel on the tiles. Depressing the switch will activate the tool motor and the push movement will initiate the striking motion.

Depending on the type of tiles and/or to remove mortar, you may have to change the angle of the tool. To change the angle, please follow the following steps:

- Unlock Lock knob (see the picture on the right below)
- Lower the cover using Knob
- Press on the Tool angle selector until proper angle is found. (See the picture on the left below)

When finished, move the cover to the upper position using knob and lock with the lock knob.



Picture of how to unlock the angle selector and how to cover it again

Chisel selection



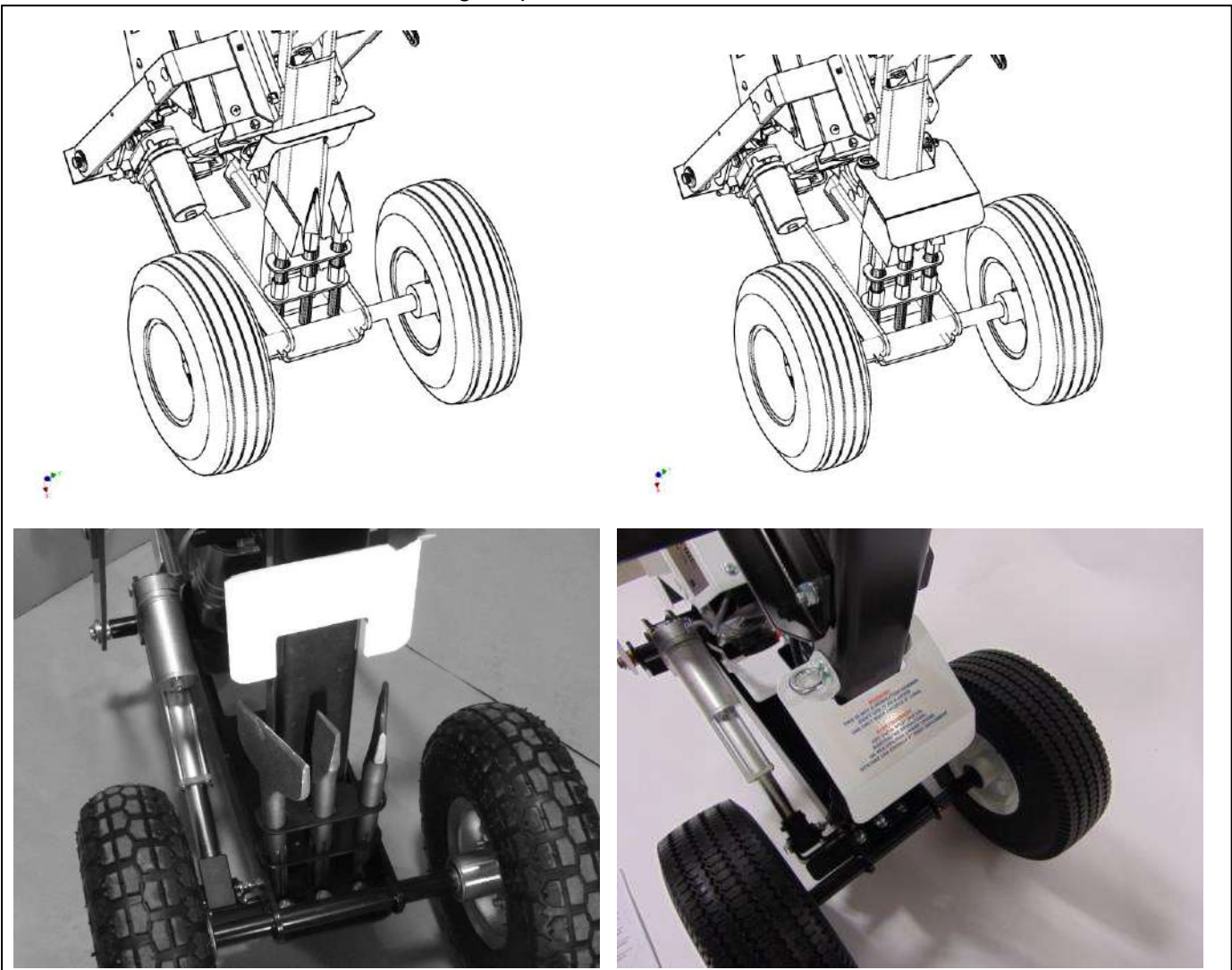
WARNING: Always disconnect the power cord before proceeding to the chisel installation or removal.

The Eddy Tile breaker comes with a complete set of 3 sizes of chisels. You have the option between 1 inch, 2 inch and 3 inch chisels. They are conveniently located at the back of the tool.



WARNING: only use the 1", 2" or 3" Eddy chisels. These chisels are 8" long and longer chisels are not suitable and will damage the tool.

To prevent potential injuries, a cover is placed over the chisels. To reach or store chisels, lift the cover. When finished, lower the cover back to its original position



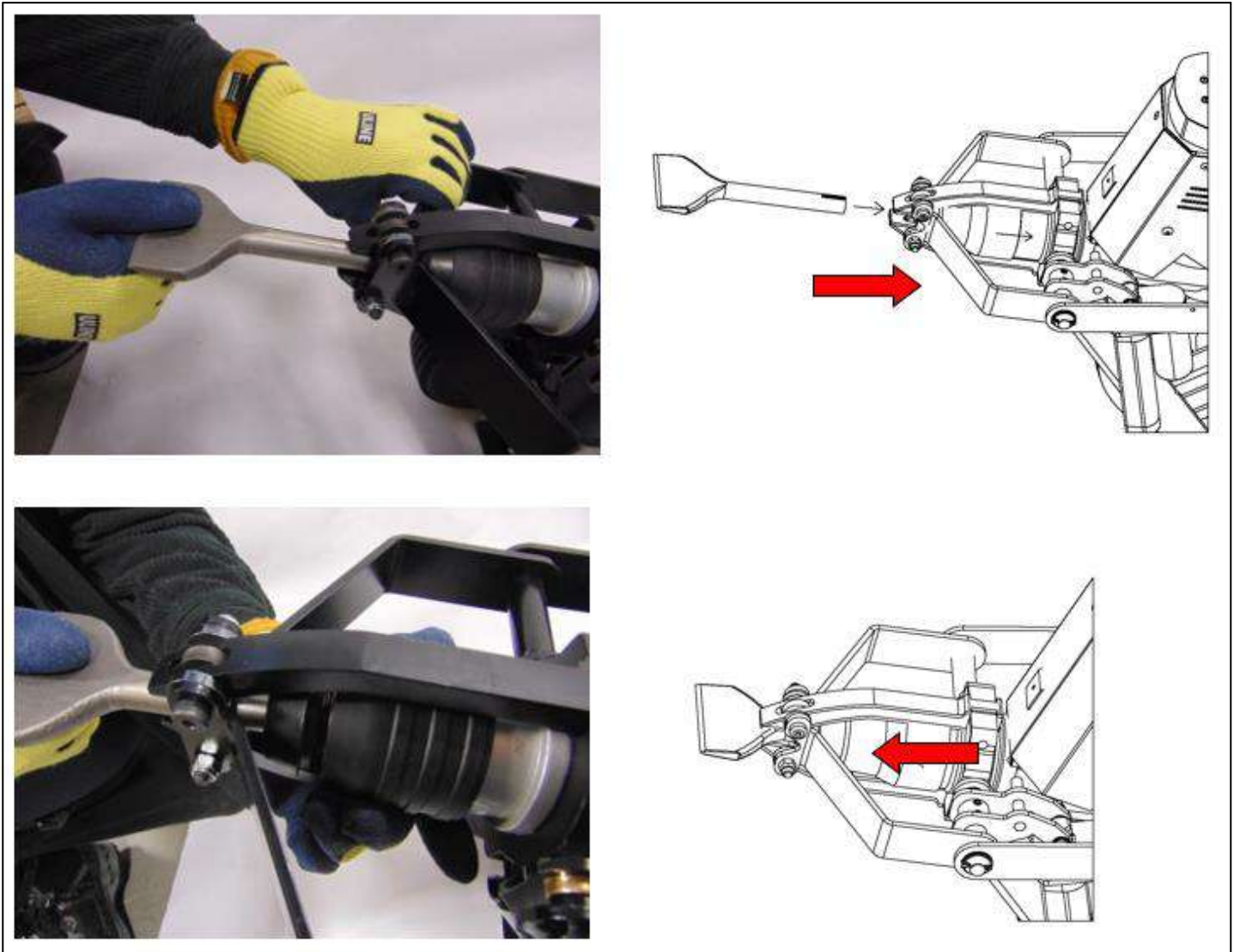
Picture showing the chisel cover

Choose the chisel for the job to execute. There are 3 sizes of chisels; 1", 2" and 3".

NOTE: Most tiles can be removed using chisel sizes 1" and 2". The 3" chisel is mostly used to remove mortar. See Fig. 8.

Insert the chisel as shown in the following Fig. 12 to 14.

- Tilt the tool backwards.
- Insert chisel while holding back the chuck.
- Turn the chisel until the chisel groove is engaged before releasing the chuck..
- Release the chuck.
- If necessary, grease the chisel with the grease that comes with the tool so that the chisel can be inserted more easily



Principle of how to install a chisel in the Tile Breaker:

- Insert chisel while pushing back the chuck (this is the black part of the hammer)
- Put the chisel in the hamer until the chisel groove is engaged
- Release the chuck.
- If necessary, grease the chisel with the grease that comes with the tool so that the chisel can be inserted more easily

Maintenance

Tool use and care

Do not force the tool. Use the correct chisel for your application. The correct tool will do the job better and safer at the rate for which it is designed.

Disconnect the plug from the power source before making any maintenance of the tool.

Check for misalignment or binding of moving parts, breakage of parts, and any other condition that may affect the tools operation. If damaged, have the tool serviced before using. Many accidents are caused by poorly maintained tools. Develop a periodic maintenance schedule for your tool.

Use only chisels that are supplied with the tool. Accessories that may be suitable for one tool, may become hazardous when used on another tool.

Cleaning

To avoid accidents always disconnect the tool from the power supply before cleaning or performing any maintenance. The tool may be cleaned most effectively with compressed dry air. Always wear safety goggles when cleaning tools with compressed air.



WARNING: Ventilation openings and controls must be kept clean and free of foreign matter. Do not attempt to clean by inserting pointed objects through openings.



Warning: Certain cleaning agents and solvents damage plastic parts. Some of these are: gasoline, carbon tetrachloride, chlorinated cleaning solvents, ammonia and household detergents that contain ammonia.

Tool lubrication

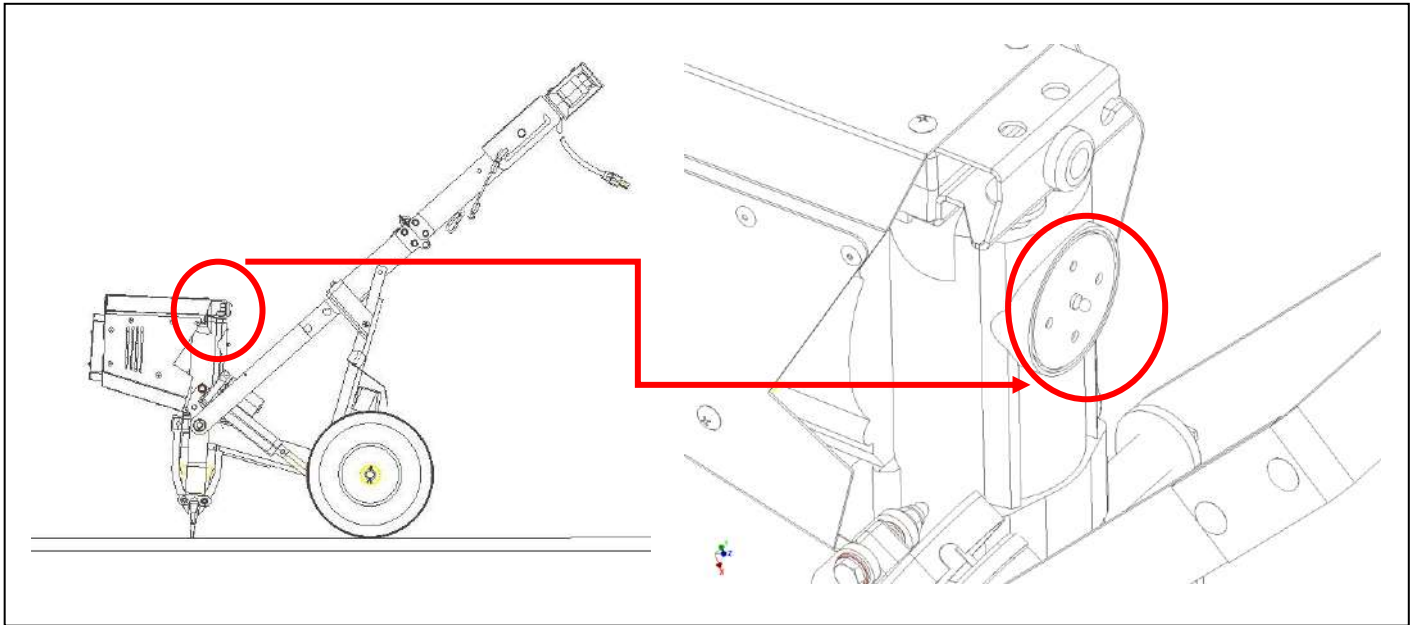


WARNING: Prior to greasing, always disconnect the plug from the power supply.

Your Eddy Tile Breaker has been properly lubricated and is ready to use. It is recommended that the tool be re-greased with a gear lubricant after approximately 40 running hours, i.e.2 hrs. for 20 days.

Adjust the angle of the tool to the maximum upright position. Remove the cap and fill with gear grease. **Use a PAO based grease with a high dropping point and broad application temperature range. We recommend to use synthetic greases that use a calcium sulfonate complex thickener along with synthetic PAO oil. An example of such a grease would be Lubex Syn from Irving.**

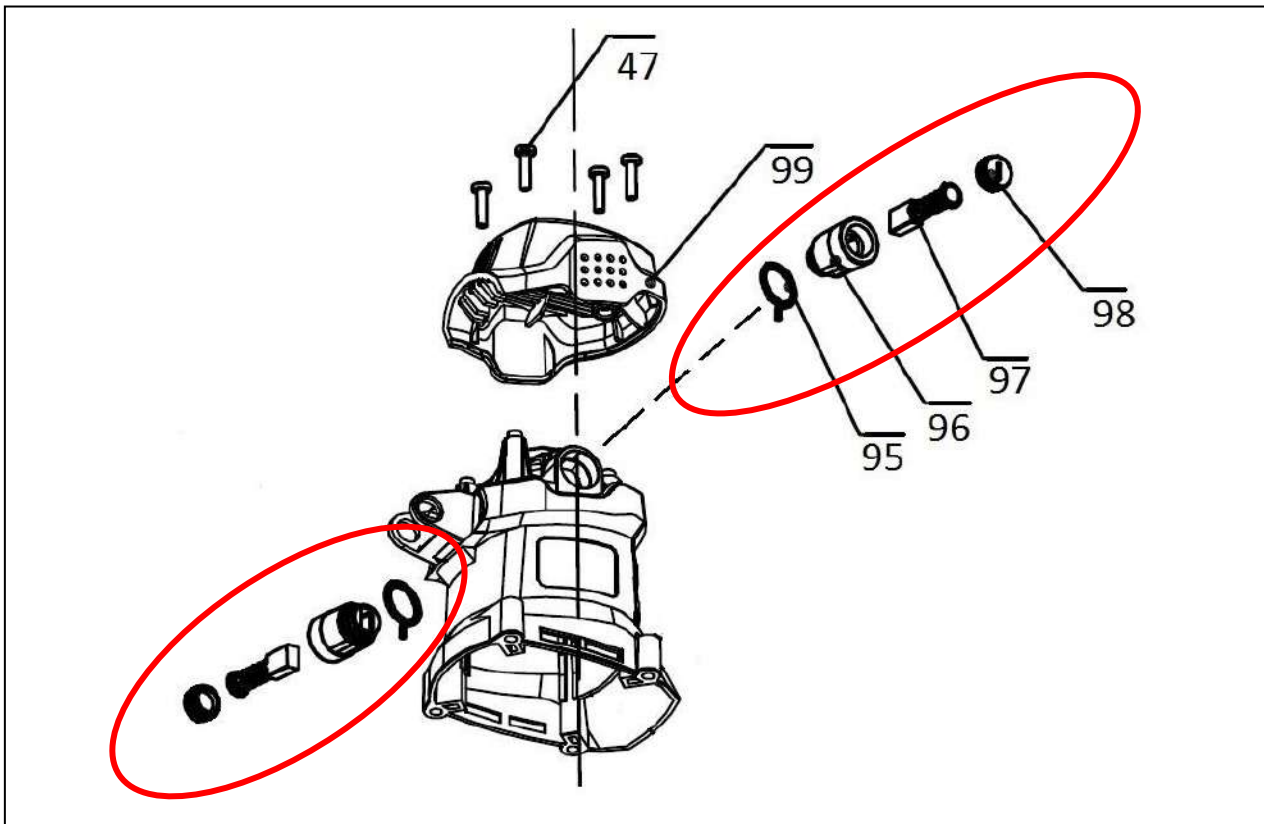
The grease that comes with the tool is used for greasing the chisel so that they can be inserted more easily.



Picture showing where the motor grease needs to be added. The tool need to be re-greased with a gear lubricant after approximately 40 running hours. Use a PAO base grease with a high dropping point: e.g.: Lubex Syn grease from Irving

Carbon brushes

The carbon brushes used in your tool have been engineered for many hours of dependable service. To maintain peak efficiency of the motor, we recommend every two to six months that the brushes must be examined. Only genuine Eddy 91 replacement brushes specially designed for your tool must be used.



Accessories

If an extension cord is necessary, a cord with adequate size conductors that is capable of carrying the current necessary for your tool must be used. This will prevent excessive voltage drop, loss of power or overheating. Grounded tools must use 3-wire extension cords that have 3-prong plugs and receptacles.

Note: The smaller the gauge number, the heavier the cord.

RECOMMENDED SIZES OF EXTENSION CORDS FOR 120 VOLT ALTERNATING CURRENT TOOLS.

Amps Rating	Cord size in AWG				Wire size in mm2			
	Cord length in feet				Cord length in meters			
	25	50	100	150	15	30	60	120
3 - 6	18	16	16	14	0.75	0.75	1.5	2.5
6 - 8	18	16	14	12	0.75	1	2.5	4
TBE2 -> 8-10	18	16	14	12	0.75	1	2.5	4
10 - 12	16	16	14	12	1	2.5	4	-----
12 - 16	14	12	-----	-----	-----	-----	-----	-----

Warranty

Eddy 91 Inc. 12 months warranty

Every Eddy 91 Inc. tool is thoroughly inspected and tested before leaving the factory. It is warranted to be free of defects from workmanship and material for the period of twelve (12) months from the date of original purchase.

Should any trouble develop during this twelve (12) months period, return the complete tool, freight prepaid, to one of Eddy 91 Inc. authorized service centers. If the inspection shows the trouble to be caused by defective workmanship or material, Eddy 91 Inc. will repair or replace it without charge.

This warranty does not apply:

- Where normal maintenance is required
- Repairs have been made or attempted by non-authorized personnel
- The tool has been abused, misused or improperly maintained
- Alterations have been made to the tool

IN NO EVENT SHALL EDDY 91 INC. BE LIABLE FOR ANY INDIRECT, INCIDENTAL OR CONSEQUENTIAL DAMAGES FROM THE SALE OR USE OF THE PRODUCT, THIS DISCLAIMER APPLIES BOTH DURING AND AFTER THE TERM OF THIS WARRANTY.

The Eddy 91 Inc. warranty is the only and the entire written warranty given by Eddy 91 Inc. tools. No dealer or his agent or employee is authorized to extend or enlarge upon this warranty by any verbal or written statement or advertisement.

Eddy 91 Inc. disclaims liability for any implied warranties, including implied warranties of MERCHANTABILITY "AND FITNESS FOR A SPECIFIC PURPOSE", after the twelve (12) months term of this warranty.

This warranty gives you specific rights. The provisions contained in this warranty are not intended to limit, modify, take away from, disclaim or exclude any warranties set forth in any provincial or state legislation. To the extent required by law, the provision in any provincial or federal legislation with respect to warranties takes precedence over the provisions in this warranty.

Service

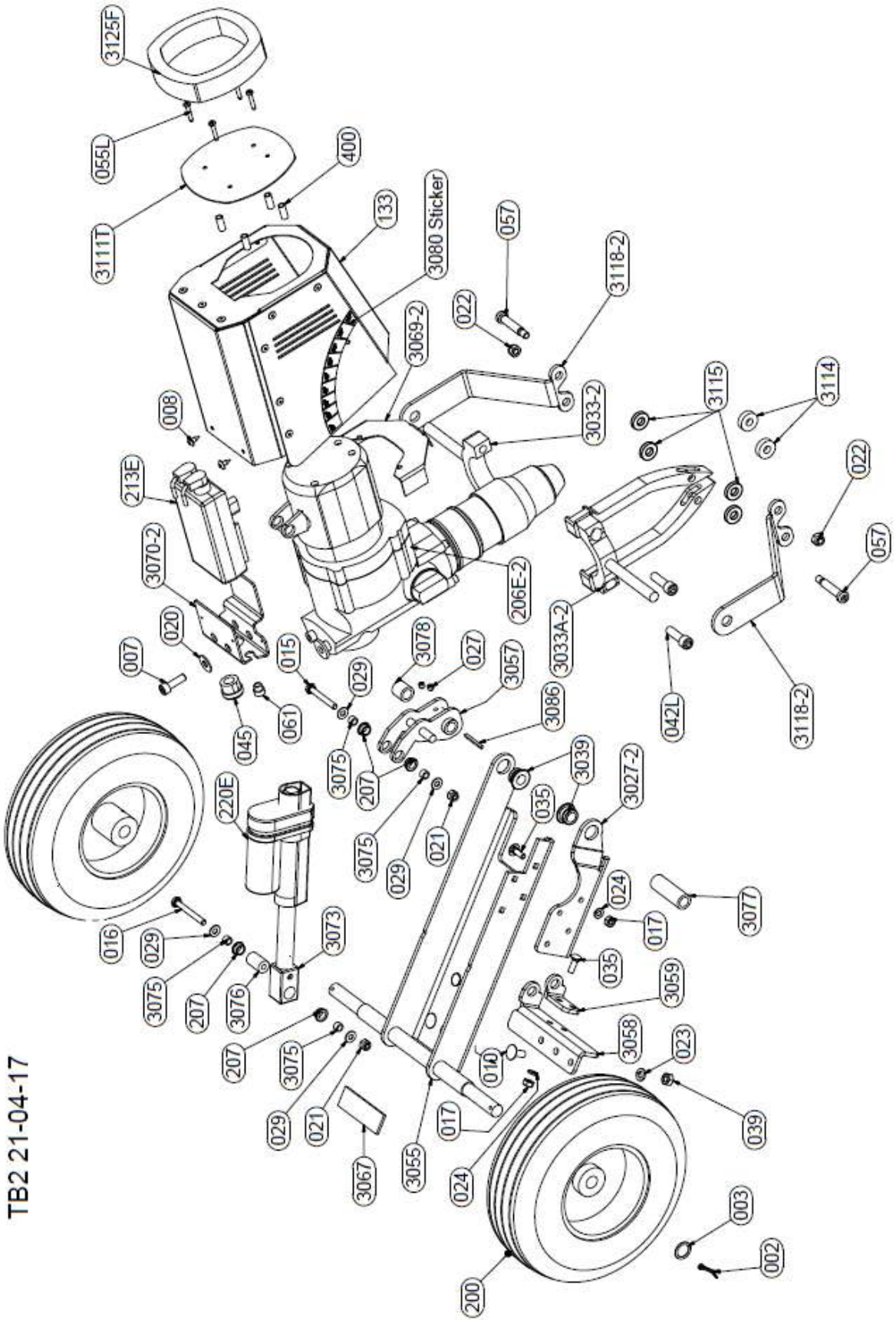
INSTRUCTIONS IF YOU NEED SERVICE

- Explain the problem in a letter. Indicate in it your name, address and phone #.
- Enclose the letter with the tool.
- Enclose copy of your purchase record (see at the end).
- Package carefully the tool and send prepaid to the nearest Eddy 91 authorized service center, listed below.

Appendices

SPECIFICATIONS / SPÉCIFICATIONS / ESPECIFICACIONES

SPECIFICATIONS	
Overall length <i>Longueur totale</i> Longitud total	25 ¼"
Net weight * <i>Poids net *</i> Peso neto *	55 lbs
Power supply <i>Pouvoir d'alimentation</i> Fuente de alimentación	120 volts - 11 amps 60Hz
Rated input power <i>Puissance absorbée nominale</i> Potencia nominal de entrada	1300 W (11A)
Max. Impact rate <i>Taux d'impact Max</i> Max. las tasas de impacto	3600/Min.
Impact joules <i>Joules d'impact</i> Joules Impacto	2-8J



TB2 21-04-17

PARTS LIST / LISTE DES PIÈCES / LISTA DE PIEZAS

Part #	Description	Qty/ Machine
S0927	ASSEMBLED WIRE /FIL ASSEMBLÉ	1
S0942	HEX HEAD MACH SCREW 8M X 12MM	4
S0970	WIRE PROTECT/PROTECTEUR DE FIL	1
S0956	PLASTIC HANDLE (MALE & FEMALE)/POIGNÉE	1
S0957	SWITCH/INTERRUPTEUR	1
S0958	NUT 1/4-20 (FOR HANDLE)/ÉCROU 1/4-20(POIGNÉE)	5
S0959	SCREW 1/4-20 x 1"/VIS 1/4-20 x 1"	2
S0960	SCREW 1/4-20 x 2 1/4" (BRASS)	3
S978	NYLON LOCKNUT / ÉCROU À BAGUE DE NYLON	1
S0992	GROMMET/DOUILLE ÉTOILÉE	1
S0993	GROUND SCREW/ VIS DE MISE À LA TERRE	1
S0994	NUT / BOULON DENTELÉ	1
S0995	NUT/BOULON	1
TBE001	CUTTER PINS 3/32 X 3/4	2
TBE002	CUTTER PINS 1/8 X 1	2
TBE003	FLAT WASHER /RONDELLE D'ACIER	2
TBE006	COUNTERSUNK BOLT M6 x 1.0 x 16/ BOULON FRAISÉ	8
TBE007	HEX BOLT CAP 8 X1,25 X20/BOULON HEXAGONALE	2
TBE008	THREAD CUTTING SCREW #8 X 1/2/VIS FILETAGE	5
TBE009	EXTERNAL SNAP RINGS/ANNEAU RESSORT EXTERNE	2
TBE010	HEX BOLT 5/16 - 18 x 3/4/BOULON HEXAGONALE	3
TBE012	HEX BOLT 1/4 - 20 x 3/4/BOULON HEXAGONALE	6
TBE013	SET SCREW M4 X 70 X 8MM	2
TBE014	FLAT WASHER 1/2, 1/32 ID X 7/8 OD X .032	6
TBE015	HEX BOLT SCREW 1/4 - 20 x 2/BOULON HEXAGONALE	1
TBE016	HEX BOLT SCREW 1/4 - 20 x 2 1/4/BOULON HEXAGONALE	1
TBE017	NUTS 1/4/ÉCROU	22
TBE019	SLOTTED SPRING PIN / BARRURE À RESSORT	1
TBE020	WASHER ¼ / RONDELLE	6
TBE021	NYLOCK NUT ¼ / ÉCROU NYLOCK	4
TBE022	5/16 LOCKNUT / ÉCROU ÉCROUS ANTI VIBRATION	2
TBE023	LOCK WASHERS 5/16 / RONDELLE BARRÉE	3
TBE024	LOCK WASHERS ¼ / RONDELLE BARRÉE	26
TBE025	DOME HEAD OPEN END RIVET 3/16	2

TBE027	HEXAGON SOCKET SCREW /VIS DE BLOCAGE	2
TBE028	WASHER 1/2 ID/RONDELLE	1
TBE029	WASHER #10/RONDELLE	4
TBE030	HOOK FOR WIRE /CROCHET POUR FIL	1

TBE035	CARRIAGE BOLT 1/4-20 x 3/4 / BOULON	21
TBE036	SNAP HOOK/MOUSQUETON	1
TBE037	EYE BOLT 1/4-20 X 4 L 1/2 /BOULON À ANNEAU	2
TBE037A	SECURITY CABLE / CÂBLE DE SECURITÉ	1
TBE038	GROUND SCREW #10 (GREEN)/VIS DE MISE À LA TERRE	1
TBE039	NUT 5/16/ÉCROU	3
TBE042	BOLT 38 x 1/BOULON	2
TBE044	CARRIAGE BOLT 5/16-18 X 3 /BOULON	1
TBE045	RELIEF BUSHING / ATTACHE DE CÂBLE	2
TBE049	TAPPING SCREW #6 x 1/2/VIS FILETAGE	5
TBE051	HANDLE LOCKING PIN/ GOUPILLE POUR BARRURE DU MANCHE	1
TBE052-A	LOCK PIN CABLE / CÂBLE POUR GOUPILLE	1
TBE055L	FILTER TOP SCREW / VIS DE DESSUS DU LILTRE	
TBE056	WASHER 5/16 ZINC	4
TBE057	BOLTS POUR RENFORT	2
TBE058	HEX. HEAD CAP SCREW M8 X 20MM	4
TBE200	10" WHEEL/ROUE	2
TBE061	SMALL PLASTIC GROMET / PASSE CLOISON	1
TBE201	CHISEL 1" X 8" LG/CISEAU	1
TBE202	CHISEL 2" X 8" LG/CISEAU	1
TBE203	CHISEL 3" X 8" LG/CISEAU	1
TBE206E-2	MOTOR 120V, 60HZ	1
TBE207	FLANGED OIL LITE BUSHING	4
TBE209E	REMOTE CONTROL/CONTRÔLEUR D'ANGLE	1
TBE213E	POWER SUPPLY 100-220 vac 1500ma 50/60hz/ALIMENTATION	1
TBE214E-2	MOTOR CABLE/CÂBLE MOTEUR	1
TBE216	SPRING PLUNGER /PION	1
TBE218	CARBON BRUSH /BROSSE DE CARBONE	2
TBE220E	ACTUATOR 24V/CYLINDRE	1
TBE237	CABLE SLEEVE / GAINÉ DE CÂBLE	1
TBE400	FILTER COVER SPACER / MANCHON DU COUVERCLE	4
TBE3027-2	WHEEL CHANNEL PLATE / PLAQUE SUPPORT DE ROUES	1
TBE3033-2	SPLIT COLLET (KEY SIDE) / DEMI COLLET (COTÉ CLEF)	1
TBE3033A-2	SPLIT COLLET (SUPORT SIDE) / DEMI COLLET (COTÉ SUPORT)	1
TBE3039	BUSHING / BAGUE	4
TBE3050	FORK UPPER SECTION/FOURCHE SUPÉRIEUR	1
TBE3051	FORK ADAPTER/ADAPTATEUR FOURCHE	1
TBE3052	FORK LEG/FOURCHE	2
TBE3054	VERTICAL TUBE/TUBE VERTICAL	1
TBE3055	WHEEL CHANNEL / SUPPORT ROUE	1
TBE3056	WHEEL SHAFT /ESSIEU	1
TBE3057	ACTUATOR ADAPTOR/PLAQUE ADAPTATEUR CYLINDER	1
TBE3058	CLEVIS ACTUATOR (LONG)/SUPPORT CYLINDRE (LONG)	1
TBE3059	CLEVIS ACTUATOR (SHORT)/SUPPORT CYLINDRE (COURT)	1
TBE3060	HANDLE TUBE/MANCHE CÔTÉ POIGNÉE	1
TBE3061	HANDLE TUBE FORK SIDE/MANCHE CÔTÉ FOURCHE	1

TBE3064A-2	COVER/COUVERCLE	1
TBE3066	CHISEL HOLDER/SUPPORT COUTEAU	1
TBE3069-2	FRONT COVER SUPPORT/SUPPORT AVANT COUVERCLE	1
TBE3070-2	POWER SUPPLY - SUPPORT- BLOC D'ALIMENTATION	1
TBE3073	ACTUATOR ROD END/ BLOC DE FIXATION CYLINDRE	1
TBE3075	SLEEVE/PIVOT	4
TBE3076	BUSHING CAOUTCHOUC 1-4 X 5-8 X 1	1
TBE3077	RIGHT FORK SLEEVE/ PIVOT DE FOURCHE AVANT DROITE	1
TBE3078	LEFT FORK SLEEVE/ PIVOT DE FOURCHE AVANT GAUCHE	1
TBE3080	ANGLE STICKER/ÉTIQUETTE ANGLE	1
TBE3082A	HAND CONTROLS SUPPORT/SUPPORT POUR CONTRÔLES	1
TBE3084	CHISEL PROTECTOR/PROTECTEUR POUR COUTEAUX	1
TBE3085	CONTROLS SLIDE COVER/COUVERCLE POUR CONTRÔLES	1
TBE3086	KEY FOR CYLINDER ARM	1
TBE3090	RENFORCING U-PLATE FOR HANDLE	1
TBE3096	RENFORCING PLATE FOR HANDLE	4
TBE3111T	SUPPORT DE FILTRE	1
TBE3112	CHUCK PROTECTOR STRUCTURE (FRONT)	1
TBE3114	CHISEL STEEL WHEEL'S GUIDE	2
TBE3115	SPACER	4
TBE3116	HINGE AND LOCKING PIN/PENTURE ET BARRURE	4
TBE3116B	HINGE SPACER AND LOCKING PIN	2
TBE3118	RENFORCING PLATE FOR CHUCK	2
TBE3125F	MOTOR AIR FILTER / FILTRE À AIR DU MOTEUR	1
TBE8000	AUTOCOLLANT EDDY PERMANENT BLANC	1
TBE8001	AUTOCOLLANT 4 X 2 (THIS IS NOT A DEMOL. HAMMER)	1
TBE8002	AUTOCOLLANT MORTAR/MORTIER (BLEU)	1
TBE8003	AUTOCOLLANT PUSH & PRESS (NOIR)	1
TBE8004	AUTOCOLLANT (PION) ROUGE	1

Contact information

USA office

1806 SW, 31st avenue
Pembroke Park
Florida, 33009
U.S.A.

Tel: 954-792-9808

Fax: 954-792-9806

Customer support: Christina Kirouac

eddyfloorscraper@bellsouth.net

Canada office

895 Theophile-St-Laurent
Nicolet
Quebec
Canada J3T 1B4

Tel: 819-293-8949

Fax: 819-293-6634

Customer support: Mario Brun

Eddy91@sogetel.net

www.eddyscraper.com

Purchase record / Record d'achat / Registro de la compra

Date purchased: _ _ - _ - _ _ _ _
Date d'achat: M M D D Y Y Y Y
Fecha de compra:

Dealer's name: _____
Nom du détaillant:
Nombre del distribuidor

Dealer's address: _____
Adresse du détaillant:
Dirección del distribuidor _____

Model #: _____
de modèle:
de modelo

Serial #: _____
de série:
de serie: